

Data Sheet



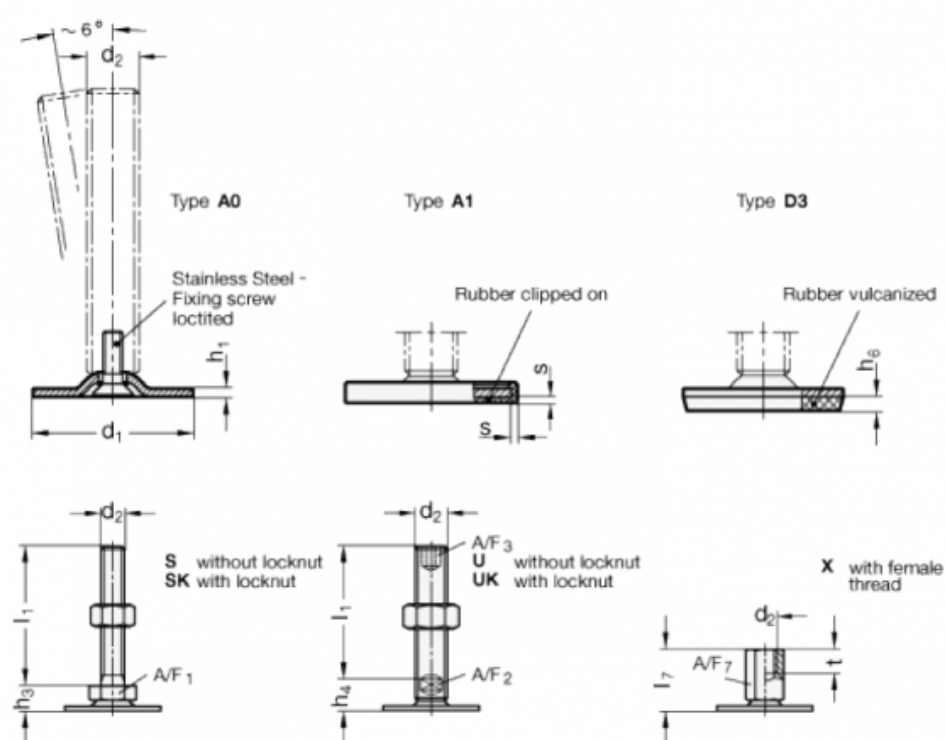
Article number: 204050M1232A1X

Description: E+G levelling foot

GN 40-50-M12-32-A1-X

Note: X With female thread, External hexagon

Measures



| | | |
|------|---|-----|
| A/F7 | = | 17 |
| d1 | = | 50 |
| d2 | = | M12 |
| h1 | = | 2.5 |
| h6 | = | |
| h7 | = | 32 |
| s | = | 2 |
| t | = | 12 |